

**EMAX** | YINYAN MODEL TECH.LTD.



**Newly** designed high-end  
brushless motors for multirotors  
MT Series

**EMAX**

YINYAN MODEL TECH.LTD.

**MT2216**



Lightweight design

Longer duration of flight

Low CG design

**EMAX**

**MT2216**

Using imported Silicon steel coils from Japan; High quality NMB bearing of Japan; Ndfcb with strong magnetic and high temperature resistance to decrease motor' s temperature increasing efficient.



YINYAN MODEL TECH.LTD.



Very convenient to use; two installation of propellers: one for plastic propellers and the other one is for carbon fiber propellers.

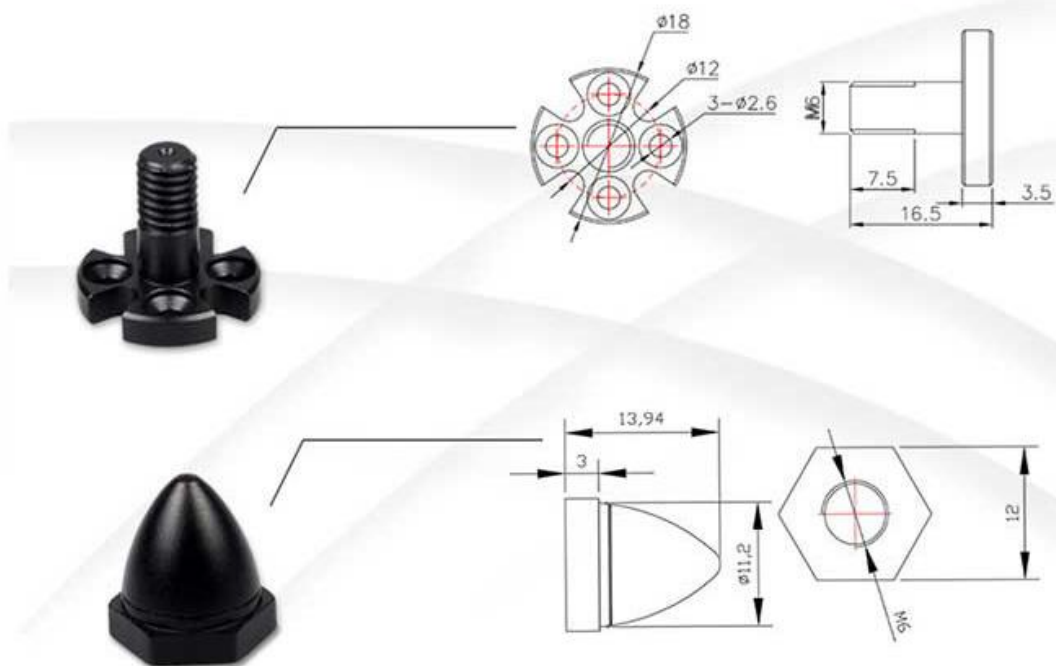


## MT2216

Installation for **general type propeller**



Installation for **three-hole CF propeller**



Accessory pack for *CW thread motor*



Accessory pack for *CCW thread motor*



**EMAX**

### MT2216 SPECIFICATIONS

KV:810

MAX Thrust:950G

NO.OF CELL:3-4S

Framework:12N14P

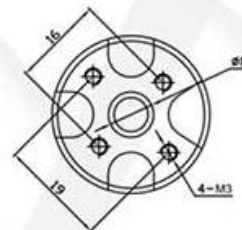
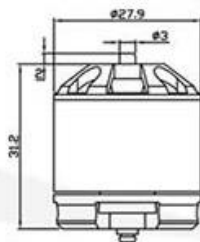
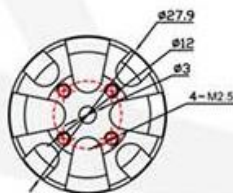
Propeller:EMAX1045

Length:33.2MM

Weight:80G

Shaft:3MM

Diameter:27.9MM



The voltage	propeller size	current (A)	thrust (G)	power (W)	efficiency (G/W)	speed (RPM)
	APC10*3.8	1	130	11.1	11.7	3230
		2	220	22.2	9.9	4030
		3	300	33.3	9.0	4640
		4	380	44.4	8.6	5090
		5	440	55.5	7.9	5420
		6	490	66.6	7.4	5690
		7	550	77.7	7.1	5950
		8	610	88.8	6.9	6180
		9	650	99.9	6.5	6340
		10	700	110.0	6.1	6500